



 **Sourcetek**  
**SILENCERS**



*The future is clean air ... the future is **Sourcetek**<sup>®</sup>*

# Silencers



- Sourcetec silencers are the perfect addition for dust collectors to greatly reduce noise to an acceptable level.
- Sourcetec silencers are available in galvanized, mild or stainless steel.
- We offer our silencers in “slip fit”, “left or right flanged” or “flanges on both ends.”
- Sourcetec silencers have an added layer of perforated metal to protect the acoustic material from erosion.
- Other sizes are available upon request.

## DIMENSIONS & SPECIFICATIONS

Figure 1.1: Silencer

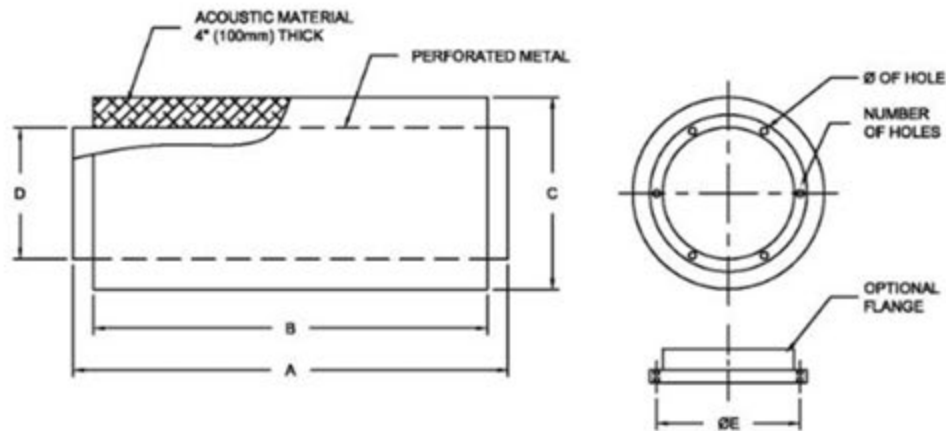


Table 1: Silencer

MODEL #	106	108	110	112	114	116	118	120	122	124	126	130	134	138
A, in	27	33	37	39	45	51	57	64	70	76	86	94	106	124
B, in	24	30	34	36	42	48	54	60	66	72	82	90	102	120
ØC, in	14	16	18	20	22	24	26	28	30	32	34	38	42	46
ØD, in	5.93	7.93	9.93	11.93	13.9	15.9	17.9	19.9	21.9	23.9	25.87	29.87	33.87	37.8
ØE, in	7 <sup>5</sup> / <sub>16</sub>	9 <sup>5</sup> / <sub>16</sub>	11 <sup>13</sup> / <sub>16</sub>	14	16	18	20	21 <sup>3</sup> / <sub>4</sub>	23 <sup>3</sup> / <sub>4</sub>	25 <sup>7</sup> / <sub>8</sub>	28 <sup>3</sup> / <sub>8</sub>	32 <sup>3</sup> / <sub>8</sub>	36 <sup>3</sup> / <sub>8</sub>	40 <sup>3</sup> / <sub>8</sub>
# Holes	6	6	6	8	8	8	8	12	12	12	16	16	16	24
Ø of hole	<sup>5</sup> / <sub>32</sub>	<sup>3</sup> / <sub>8</sub>	<sup>7</sup> / <sub>16</sub>	<sup>7</sup> / <sub>16</sub>	<sup>7</sup> / <sub>16</sub>	<sup>7</sup> / <sub>16</sub>	<sup>7</sup> / <sub>16</sub>	<sup>7</sup> / <sub>16</sub>	<sup>7</sup> / <sub>16</sub>	<sup>7</sup> / <sub>16</sub>	<sup>7</sup> / <sub>16</sub>	<sup>7</sup> / <sub>16</sub>	<sup>7</sup> / <sub>16</sub>	<sup>7</sup> / <sub>16</sub>

- For noise attenuation insertion specifications please consult factory.



Ontario, Canada, L5S 1E7  
 Tel: (905) 678-9333 Fax: (905) 678-7133  
 Ohio, USA 43528  
 Toll Free: 1-800-784-2383  
[www.sourcetecindustries.com](http://www.sourcetecindustries.com)

Distributed by: