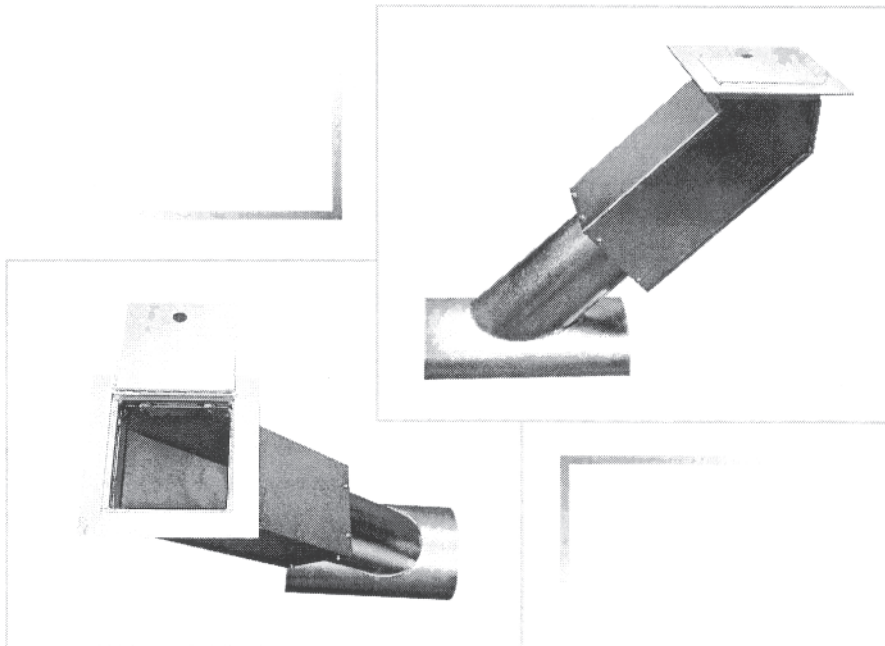




# Sourcetec

## Retractable Underground Systems

Sourcetec manufactures the largest selection of underground exhaust retractable systems for the automotive industry. Available in single or dual units with a choice of 3"-6" diameter hose.



### Standard Features:

- heavy-duty fixture
- stainless steel hinge
- recessed cavity for opening and closing the cover
- heavy-duty adjustable curved saddle
- mild or stainless steel construction

Mississauga, Ontario, Canada  
Tel: (905) 678-9333 Fax: (905) 678-7133  
Holland, Ohio, USA 1-800-784-2383

[www.sourcetecindustries.com](http://www.sourcetecindustries.com) E-mail: [sales@sourcetecindustries.com](mailto:sales@sourcetecindustries.com)

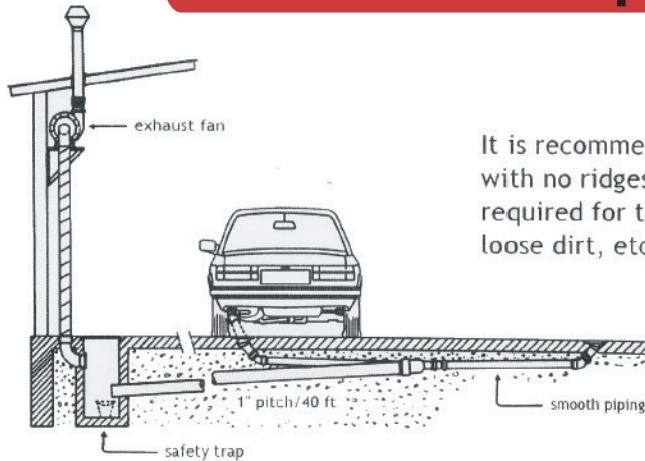
*The future is clean air ... the future is Sourcetec®*



# Sourcetec

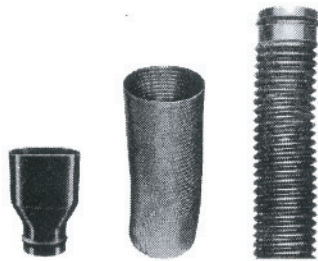
## Retractable Underground Systems

### Technical Description

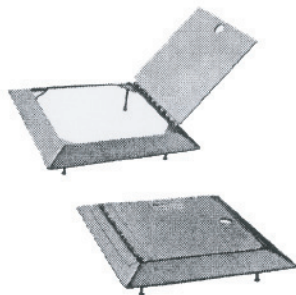


It is recommended that smooth piping with no ridges be used. A safety trap is required for the collection of all debris, loose dirt, etc.

### Accessories



Sourcetec underground retractable systems can accommodate various types of flexible hose and adapters. Most commonly used are the crushable and stainless steel hoses.



**Quick Fix Replacement Cover**  
Replacement cover plate series "CP". CP cover plates are specially designed as replacement covers for existing underground systems. Cover is heavy-duty and easily installed.

Mississauga, Ontario, Canada  
Tel: (905) 678-9333 Fax: (905) 678-7133  
Holland, Ohio, USA 1-800-784-2383

[www.sourcetecindustries.com](http://www.sourcetecindustries.com) E-mail: [sales@sourcetecindustries.com](mailto:sales@sourcetecindustries.com)

**Distributed by:**

*The future is clean air ... the future is Sourcetec®*