



AFTER FILTER UNITS

30/30, 95% ASHRAE & HEPA



The future is clean air ... the future is **Sourcetek**[®]

After Filter Units - 30/30, 95% ASHRAE

Module for ASHRAE Filter



- Modular construction specifically designed to integrate with most dust collection systems.
- Provides extra filtration when air is being returned back into the work/classroom area.
- Pressure gauge identifies service requirements for better performance monitoring capabilities.
- Access from both sides provides easy filter change out with no tools.
- 30/30 ASHRAE filter provides 30% efficiency 95% ASHRAE filter provides 95% efficiency and HEPA is optional.
- Configured to hold 1, 2, 3, 4, 6, 8, 9, 12 or 16 30/30 prefilters and 95% ASHRAE filters.
- Compact, self-contained unit designed for flexible floor placement to conserve space.
- Durable construction, stainless steel option is available.

DIMENSIONS & SPECIFICATIONS

Figure 1.1: 30/30, 95% ASHRAE

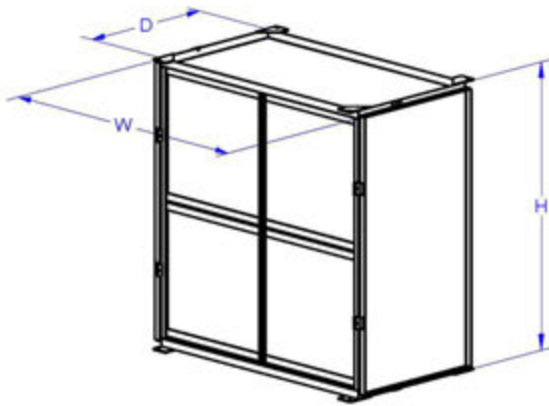


Figure 1.2: 30/30, 95% ASHRAE

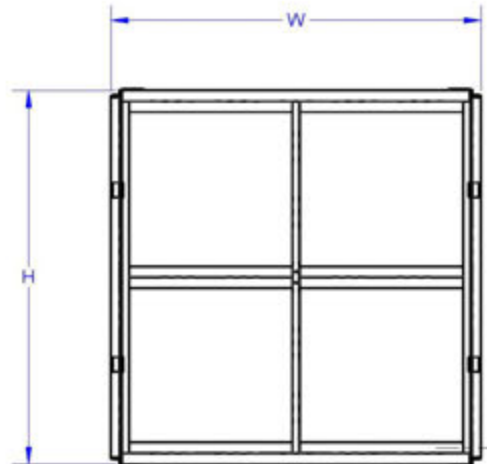


Table 1: 30/30, 95% ASHRAE

Number of Filters High	Depth (D)	Height (H)	Number of Filters Wide			
			1	2	3	4
1	26"	27"	2000 CFM	4000 CFM	6000 CFM	8000 CFM
2	26"	51"	4000 CFM	8000 CFM	12000 CFM	16000 CFM
3	26"	74½"	6000 CFM	12000 CFM	18000 CFM	24000 CFM
4	26"	98½"	8000 CFM	16000 CFM	24000 CFM	32000 CFM
Width (W)			27"	50"	75"	99"

- Other sizes are also available upon request.
 - Dimensions above are for reference only.



Ontario, Canada, L5S 1E7
 Tel: (905) 678-9333 Fax: (905) 678-7133
 Ohio, USA 43528
 Toll Free: 1-800-784-2383
www.sourcetecindustries.com

Distributed by:

Module for HEPA Filter



- Modular construction specifically designed to integrate with Sourcetec after filter.
- Provides additional filter stage to the normal two stage filter construction.
- Pressure gauge identifies service requirements for better performance monitoring capabilities.
- Access from both sides provides easy filter change out with no tools.
- HEPA filter provides 99.97% efficiency at 0.3 micron.
- Configured to hold 1, 2, 3, 4, 6, 8, 9, 12 or 16 HEPA filters.
- Durable construction and stainless steel option is also available.

DIMENSIONS & SPECIFICATIONS

Figure 2.1: HEPA Filter

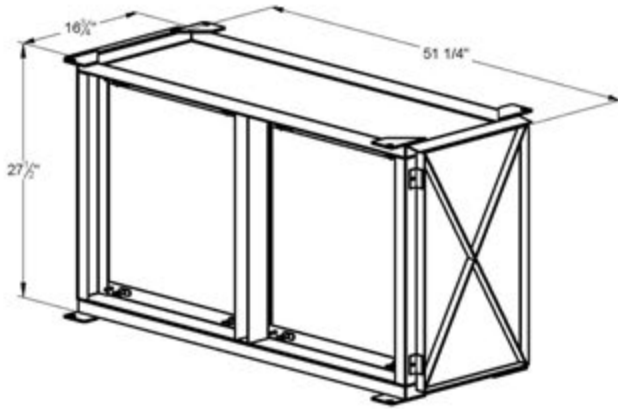


Figure 2.2: HEPA Filter

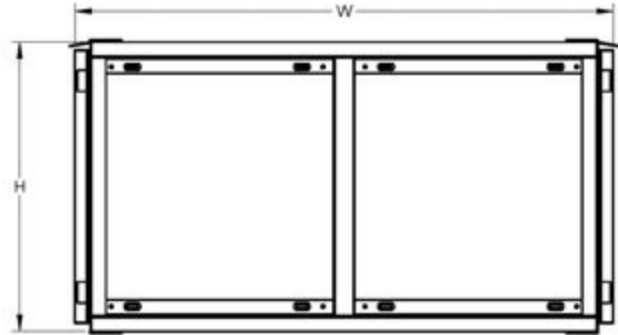


Table 2: HEPA Filter

Number of Filters High	Depth (D)	Height (H)	Number of Filters Wide			
			1	2	3	4
1	16 3/4"	27 1/2"	2000 CFM	4000 CFM	6000 CFM	8000 CFM
2	16 3/4"	52"	4000 CFM	8000 CFM	12000 CFM	16000 CFM
3	16 3/4"	76 1/2"	6000 CFM	12000 CFM	18000 CFM	24000 CFM
4	16 3/4"	101"	8000 CFM	16000 CFM	24000 CFM	32000 CFM
Width (W)			28 3/4"	51 1/4"	76 3/4"	100 1/4"

- Other sizes are also available upon request.
 - Dimensions above are for reference only.



Ontario, Canada, L5S 1E7
 Tel: (905) 678-9333 Fax: (905) 678-7133
 Ohio, USA 43528
 Toll Free: 1-800-784-2383
www.sourcetecindustries.com

Distributed by: