

SOURCETEC INDUSTRIES INC.

SV-700 MOBILE FILTER UNIT



*The future is clean air ... the future is **Sourcetec**[®]*

INSTALLATION INSTRUCTION AND MAINTENANCE MANUAL



WARNING!



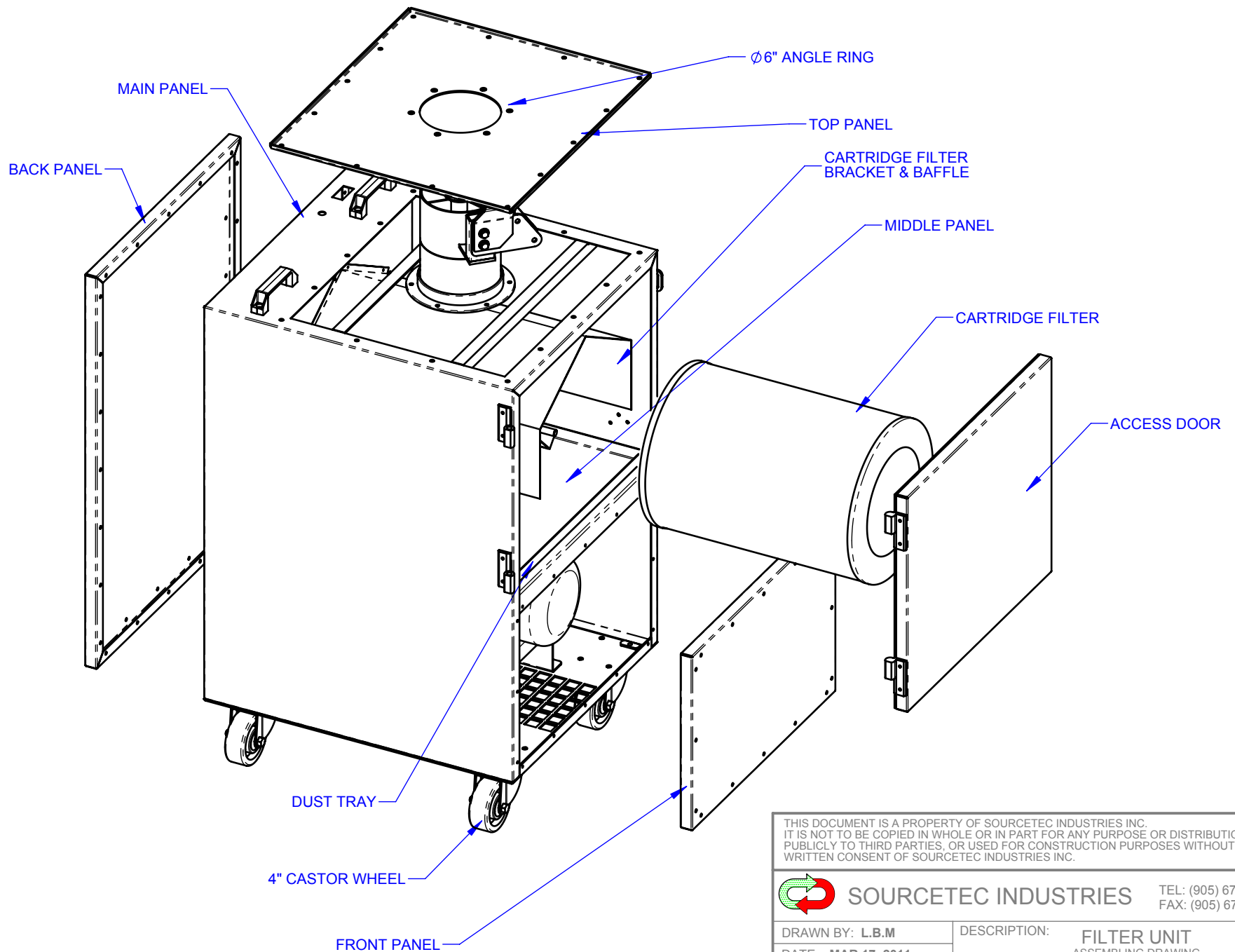
CARELESS OR IMPROPER USE MAY RESULT IN PERSONAL INJURY. READ SAFETY PRECAUTIONS AND INSTRUCTIONS PRIOR TO OPERATING THIS PRODUCT.

SOURCETEC INDUSTRIES INC.

www.sourcetecindustries.com

TOLL FREE: 1-800-784-2383

OMSV72012-01



THIS DOCUMENT IS A PROPERTY OF SOURCETEC INDUSTRIES INC.
 IT IS NOT TO BE COPIED IN WHOLE OR IN PART FOR ANY PURPOSE OR DISTRIBUTION
 PUBLICLY TO THIRD PARTIES, OR USED FOR CONSTRUCTION PURPOSES WITHOUT THE
 WRITTEN CONSENT OF SOURCETEC INDUSTRIES INC.



SOURCETEC INDUSTRIES

TEL: (905) 678-9333
 FAX: (905) 678-7133

DRAWN BY: L.B.M		DESCRIPTION: FILTER UNIT	
DATE: MAR 17, 2011		ASSEMBLING DRAWING	
MATL: MILD STEEL	PRODUCT No: SV-700	REV.0	
SCALE: 1:16	WGT: 230 lbs.	DRAWING No: F0201-A1	SHEET 1 OF 1

DESCRIPTION

The Sourcetec SV-700 mobile filter unit is ruggedly constructed unit used for direct source capture of various airborne contaminants such as dust, smoke, WELD FUMES and other atmospheric pollutants. The SV-700 is constructed of a 16 gauge steel welded cabinet, painted inside and out with chip resistant electrostatically applied finish. Equipped with fully hinged filter access door with positive locking mechanism, 4" (100mm) diameter ball bearing caster wheels. SV-700 can be used with a flexible hose or flexible external self-supporting arm 6' (2m) reach with 6" (150mm) diameter. Complete with hose and hood with 4 way swivel. Cabinet mounted ON/OFF switch.

STANDARD FEATURES

- Self Cleaning Mechanism (70-90psi)
- 10ft (3m) long power cord with 15AMP Plug

OPTIONS

- Local switch on hood to turn unit ON/OFF
- Light package on hood, with screen
- Explosion proof motor with special coating (non self clean mechanism units)
- 8ft (2m), 10ft (3m) external supported arms
- Other voltages

SPECIFICATIONS

Height: 41" (1041mm)

Width: 23" (584mm)

Depth: 26" (660mm)

Weight: 160 lbs (72 kgs)

Electric: 1HP, 0.75w, 110volt, single phase, 3500rpm, 11.8Amps

Noise Level: 58 DBA@ 8ft

BLOWER: 12" Pressure Blower

FILTRATION: 18" cleanable cartridge

CONSTRUCTION: Unit is made of 16 gauge painted steel, unit includes

- Access filter door
- Integral 2" tray
- Silencer

WARNING! SHOCK HAZARD

To insure continued protection against shock hazard, connect AC cord only to properly grounded outlets. Replace defective cords immediately. Don't expose to moisture or liquid as this could defect the electrical insulation thus causing electrical shock.

INSTALLATION AND OPERATION

The SV-700 filter unit is easy to install, make sure you unpack the unit and all components, check for any damages or shortages and report these immediately to shipping company. Once your unit is unpacked just plug the electrical cord into a properly grounded outlet. Adjust arm for proper intake and turn unit to ON position. When unit is not in use make sure to turn to OFF position and move arm out of harms way.

Smoke and fumes enter the unit, via an articulated arm that then filters the contaminants through specially designed cartridge filters. Sourcetec's cartridge filters remove particles with an efficiency of 99.999%. These filters can easily be removed for periodic cleaning or using the optional self-cleaning mechanism. After passing through the filter and blower assembly, the recycled air exists through the built in silencer lined with acoustical foam and out the grill at the front of the unit.

SELF-CLEANING

The SV-700 has an optional self cleaning mechanism. It uses short bursts of compressed air to release the dust trapped on the filter surface, which thoroughly cleans the filter cartridge and maintains a low static pressure. The residual contaminants are collected in an easy to remove drawer.

OPERATION OF AUTOMATIC SELF-CLEANING

1. Turn switch to middle position, to switch fume collector OFF
2. While unit is OFF, connect shop air (75+psi) to nozzle on top of unit.
3. Turn switch to "SELF-CLEAN" position; self cleaning mechanism will automatically start a 4 MINUTE cycle.
4. Once the cycle is completed, the unit will automatically shut off. Disconnect shop air.

Note: Daily and REPETITIVE cleaning of filters is recommended to prolong filter life.

MAINTENANCE

CAUTION: Always disconnect the power source before working on or near the motor, or the wiring assemblies. Lock out disconnects to prevent unexpected application of power.

FILTERS:

When collecting sub-micron and micron particles, filter life can range from 6 months to longer depending on the application, quantity and type of solids being collected. If you notice dramatic change in performance, follow these simple steps.

FOR ADDITIONAL PERIODIC DEEP CLEANING:

Remove cartridge from unit, using shop compressed air clean filter. Replace filter in unit. Turn unit on, check performance.

If no performance improvement is evident, replace main cartridge filter.

NOTE: Unit can operate beyond the pressure differential recommend; however suction performance will be reduced.



*The future is clean air ... the future is **Sourcetec**®*

Warranty and Service Policy

One Year Limited Warranty

Air cleaning products and systems manufactured by Sourcetec Industries Inc. are warranted for a period of one year from date of original purchase. Sourcetec's liability shall be limited to repair or replacement of defective material within the warranty period when returned freight prepaid to its plant or to a service depot designated by Sourcetec. This warranty does not apply to products subjected to any accidents, alteration, abuse, or misuse. Warranties on equipment not of seller's manufacture are limited to terms of warranty furnished by seller's suppliers.

Our responsibility ceases upon delivery to any common carrier and we do not, unless previously instructed, insure shipments beyond point of delivery to such a carrier.

No material will be accepted for credit when returned without permission. All materials accepted for credit is subject to at least a 25% handling charge, and permission must be obtained before equipment is returned.

Equipment specially built to customer specifications and requirements is not subjected to cancellation or returnable for credit under any conditions.

We reserve the right to modify or alter materials, dimensions, design and construction when necessary, to improve the performance of our product and/or accessories, or to meet delivery requirements.

TOLL FREE: 1 (800) 784-2383

E-mail: customerservice@sourcetecindustries.com