



The future is clean air ... the future is Sourcetec®

SV-700 Filter Unit



DESCRIPTION

The Sourcetec SV-700 mobile filter unit is ruggedly constructed for direct source capture of various air bound contaminants, thus forbidding the contaminant from entering the workers' breathing zone. It cleans the air by recycling, eliminating the need to exhaust costly heated or cooled plant air. It is an affordable means of cleaning unwanted hazardous fumes from the workplace.

The SV-700 collects smoke and fumes via an articulated arm that filters the contaminants through a specially designed cartridge filter. Sourcetec's cartridge filter removes all particulates and has an efficiency of 99.999%

The SV-700 can also be ducted and used as a stationary unit without the source capture arm. The SV-700 has an optional self cleaning mechanism. It uses a short burst of compressed air, which thoroughly cleans the filter cartridge and maintains a low static pressure. The residual contaminants are collected in an easy removeable drawer.

USAGE

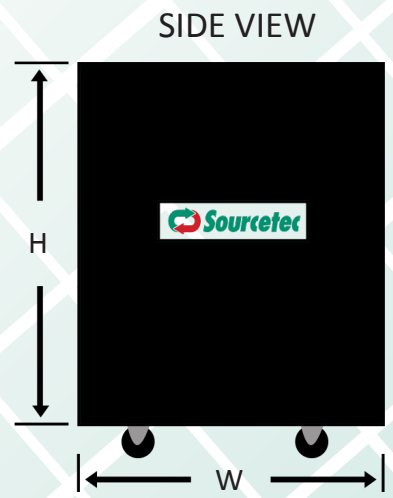
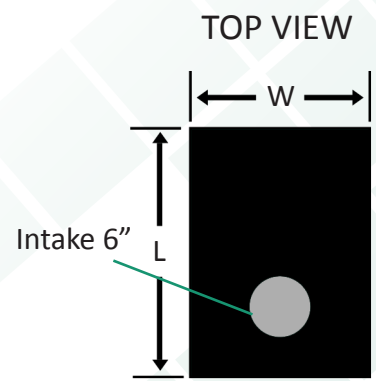
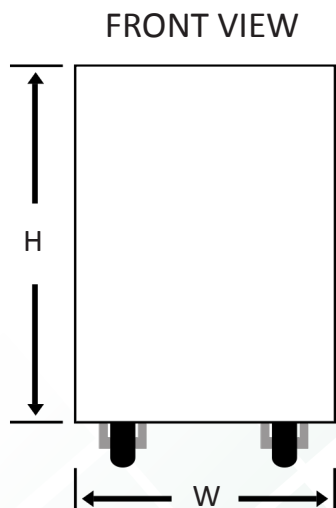
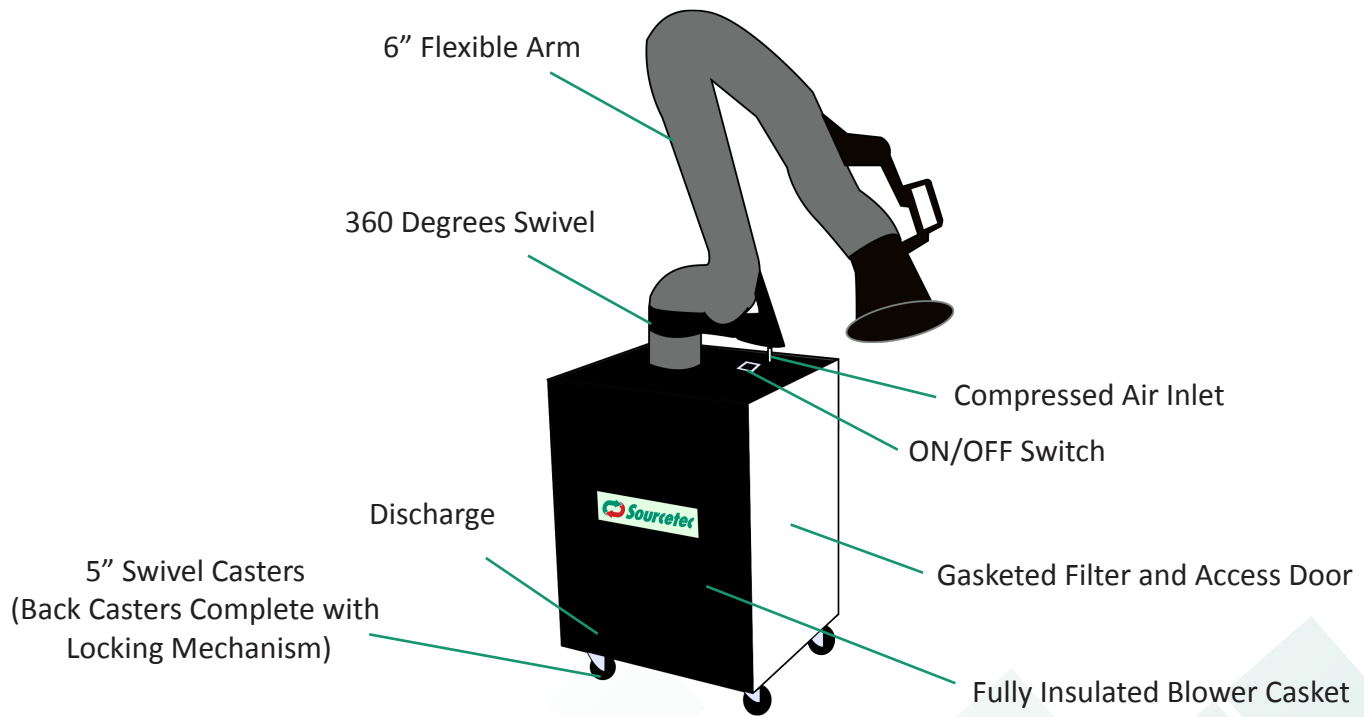
Designed to meet the needs for welding and for the collection of other hazardous airborne particulate. The SV-700 can also be used for grinding dust, dry chemical dust, flour dust and textile fibre.

FEATURES

- Most efficient and economical way to remove contaminants
- Sourcetec flexible arm provides 360 degrees swivel and is externally supported
- Cabinet mounted ON/OFF switch
- Power cord 10' long
- 1 HP, 0.75kw, 110volt, single phase, 3500rpm
- (6'0") long external support arm with 6" I.D. hose and hood with 4-way swivel
- CSA & UL approved
- Meets & exceeds OSHA requirements

OPTIONS

- Self cleaning mechanism (requires up to 90 PSI compressed air)
- Pressure gauge
- Local switch on hood to turn unit ON/OFF
- Light package on hood, with screen
- Explosion proof motor with special coating
- 8'0" or 10'0" external support arms
- Gas Filter
- HEPA Filter



Model	Nominal Airflow (CFM)	Filter Area (ft ²)	Sound Level (dBA)	Motor (HP)	SCF Per Pulse	Dimensions (Inches)		
						Length	Width	Height
SV-700	725	147	79	1	1.1	26	23	41

Distributed by:



The future is clean air ... the future is **Sourcetek**®

We reserve the right to change specifications without notice.

Sourcetek Industries Inc.
 Ontario, Canada
 Tel: (905) 678-9333 Fax: (905) 678-7133
 Ohio, USA
 1-800-784-2383
 www.sourcetekindustries.com
 E-mail: sales@sourcetekindustries.com