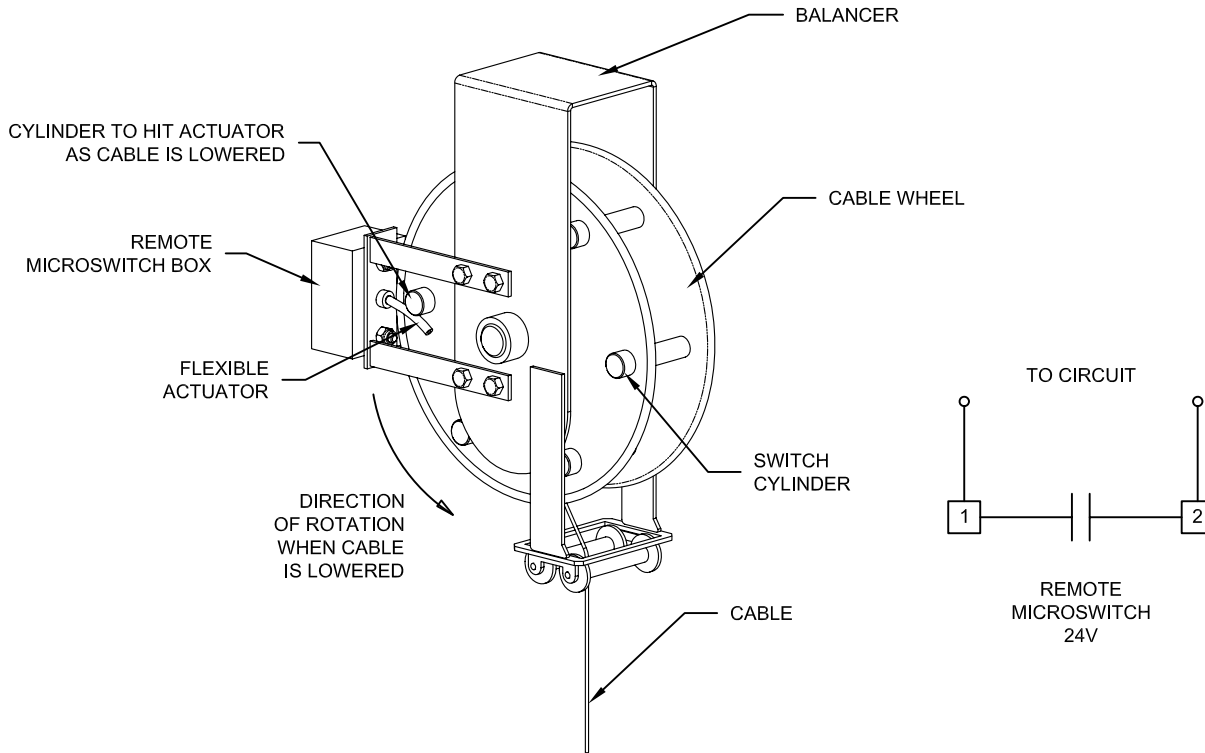


PRODUCT	SERIAL	DRAWING NO.	DATE	PROJECT	
BALANCER W/ SWITCH	BLC/S	8-031801	2008-03-18	LOCATION	
				ARCHITECT/ENG	
				CONTRACTOR	
				SALES ENG/DIST	
				DATE	

## HOSE BALANCER WITH MICROSWITCH



ITEM	QTY	MODEL	DESCRIPTION	NOTES

**SPECIFICATIONS:**