

SOURCETEC INDUSTRIES INC.

MANUAL EXHAUST HOSE REEL SERIES “EHR”



*The future is clean air ... the future is **Sourcetec**®*

INSTALLATION INSTRUCTION AND MAINTENANCE MANUAL



WARNING!



CARELESS OR IMPROPER USE MAY RESULT IN PERSONAL INJURY. READ SAFETY PRECAUTIONS AND INSTRUCTIONS PRIOR TO OPERATING THIS PRODUCT.

SOURCETEC INDUSTRIES INC.

www.sourcetecindustries.com

TOLL FREE: 1-800-784-2383

OM-EHR12/2012

1.0 SYSTEM DESCRIPTION

Sourcetec Hose Reels are specially designed to collect and remove the exhaust gases from vehicles at idles.

These reels can be mounted to a ventilator(s) either independently or as part of a complete exhaust system, which in turn vent(s) the harmful gases via an elevated stack for disposal above the roof.

The Sourcetec manual driven reel is operated by a special powerful spring, and a ratchet mechanism. The hose is pulled down by the mechanic and placed over the tail pipe. The hose retracts automatically when it is not in use so it is safely up out of the way.

It is also possible to operate a fan or an automatic damper at the same time when operating the manual reel. (Optional accessories)

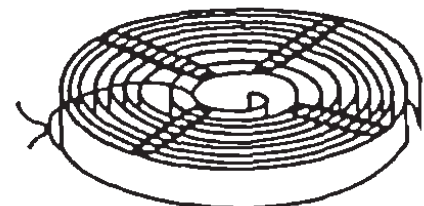
2.0 PERSONNEL SAFETY

PERSONNEL INJURY AND / OR EQUIPMENT DAMAGE MAY RESULT IF PROPER SAFETY PRECAUTIONS ARE NOT OBSERVED.

- ✓ Ensure that the reel is properly installed before connecting input and output hoses.
- ✓ Ensure that working pressure and temperature do not exceed rating of reel.
- ✓ Be aware of machinery and personnel in work area.
- ✓ If a leak occurs in the hose reels, remove from service immediately.
- ✓ A high-tension spring assembly is contained within the reel. Exercise extreme caution.
- ✓ If a reel ceases to unwind or rewind, remove from service immediately. Do not pull or jerk on hose.
- ✓ A HIGH – TENSION SPRING ASSEMBLY IS CONTAINED WITHIN THE REEL. EXERCISE EXTREME CAUTION.

WARNING!

Spring is dangerous. Before removing broken spring, weld coils together at four (4) locations and/or wrap securely with wire. Failure to secure spring could result in serious injury, death or property damage.

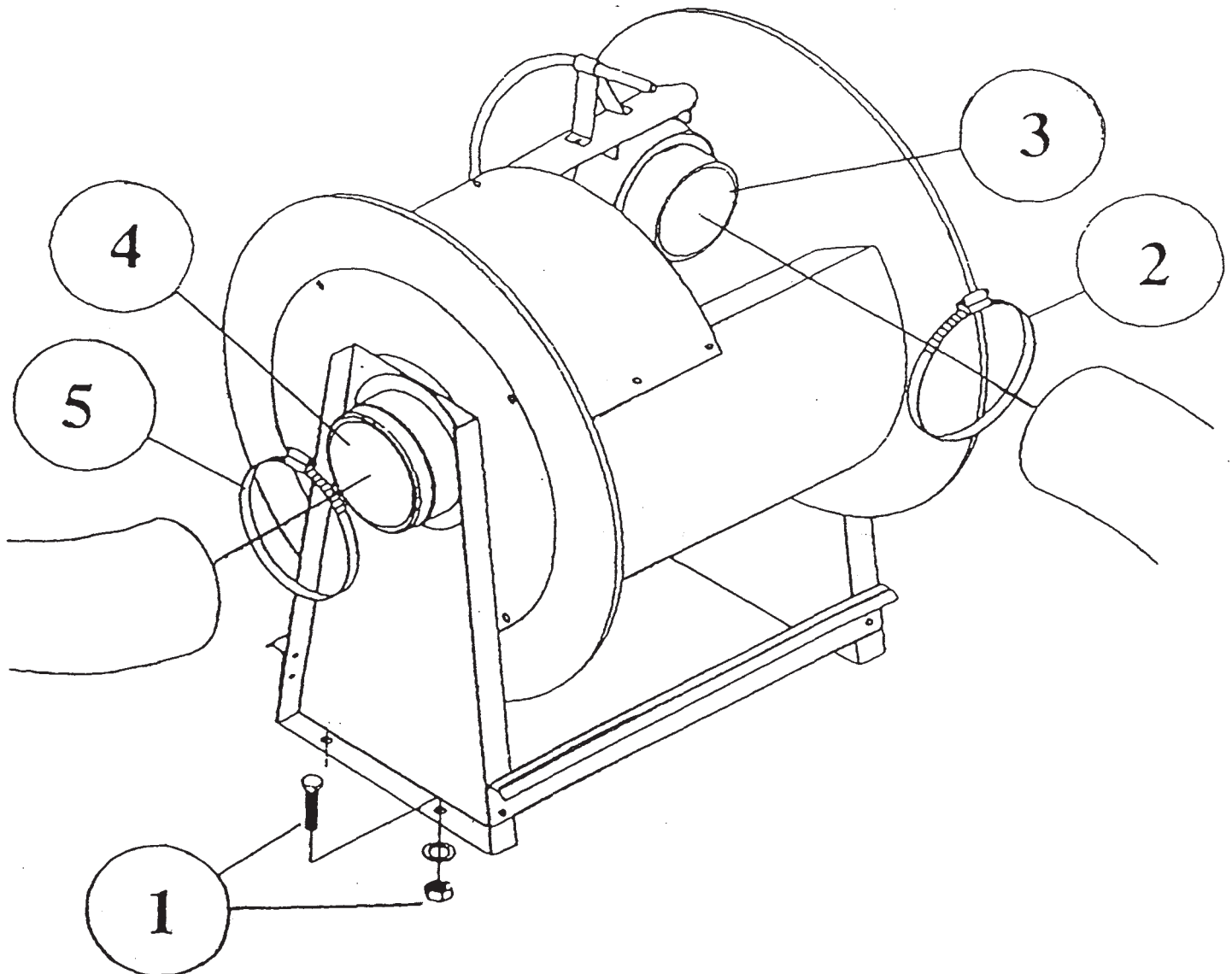


1.0 HOSE REEL INSTALLATION INSTRUCTIONS

Position reel on floor, ceiling, or wall. Secure into place using four (customer-supplied) bolts. (See number one on the diagram)

2.0 HOSE INSTALLATION

- Turn reel unit until spring is tight. Back off three turns, then latch.
- Position input hose to input adapter (2), and secure with hose clamp.(3)
- Position output hose to output adapter (4), and secure into place with hose clamp (5)
- Release hatch and wind hose onto reel.



1.0 REEL TENSION ADJUSTMENTS

WARNING: USE EXTREME CAUTION; REEL UNDER TENTION. AVOID REALEASING LATCH MECHANISM.

If necessary, adjust spring tension on reel by adding or removing wraps of hose from spool, one wrap at a time until desired tension is obtained. Add wraps to increase tension. Remove wraps to decrease tension.

CAUTION: WHEN ADDING WRAPS OFF HOSE, BE CAREFUL NOT TO EXCEED THE WINDING MECHANISM'S CAPACITY. ADD JUST ENOUGH WRAPS OF HOSE TO ACHIEVE THE DESIRED TENSION. DAMAGE TO THE WINDING MECHANISM WILL RESULT IF SPRING IS OVER-TENSIONED.

2.0 TAIL PIPE ADAPTOR INSTALLATION

Tail pipe adaptors are used on vehicles where the exhaust pipe is under chassis. Adaptors are supplied either with a spring loaded or manual damper. Diesel stack adaptors are used on vehicles where the exhaust pipe is extended vertically above the chassis.

3.0 MAINTENANCE

Sourcetec exhaust hose reels are designed essentially to be maintenance free.

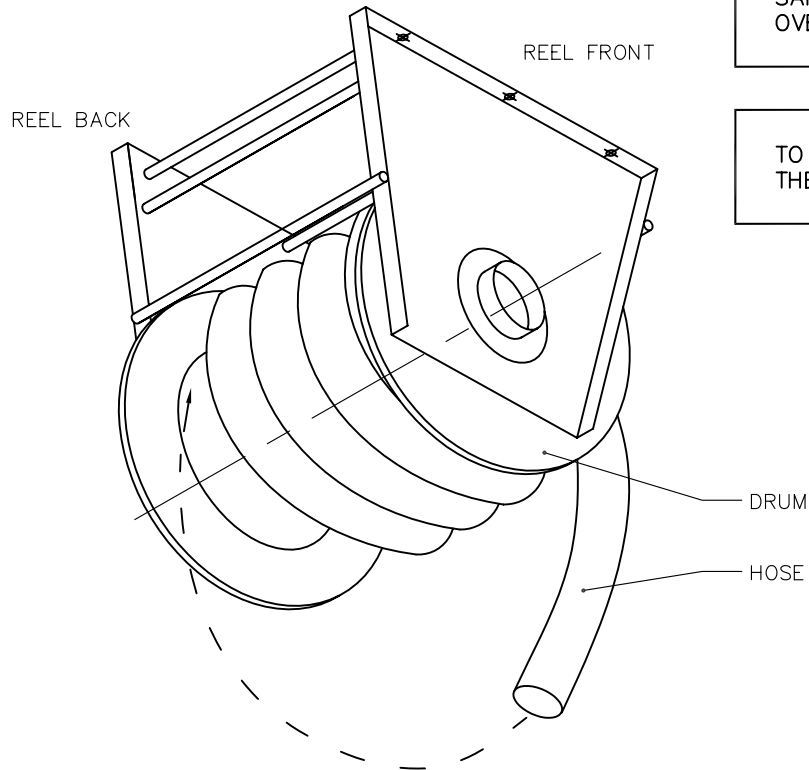
Periodic inspection of the hose reel on a monthly basis will reveal possible deterioration of the following:

- **HOSES:** Small holes should be taped over to prevent any further tearing. If large tears do occur due to accidents or rough handling, the hose should be replaced or be cut and rejoined using an internal coupling and gear clamps.

4.0 SPARE PARTS LIST

Spare parts list will be shipped with reel.

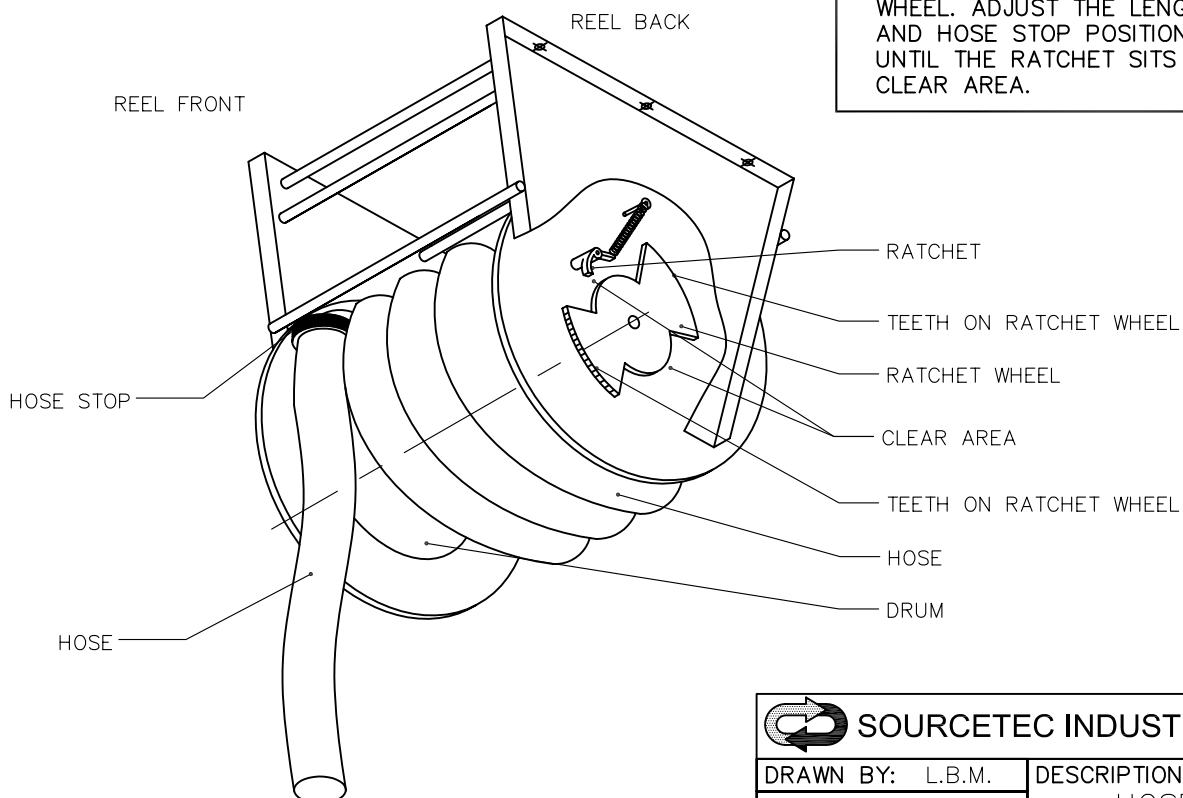
HOSE TENSIONING



TO ADD TENSION WRAP THE END OF THE HOSE AROUND THE HOSE DRUM IN THE SAME DIRECTION AS FACTORY SET. DO NOT OVER TENSION.

TO RELEASE TENSION REMOVE A WRAP OF THE HOSE FROM THE DRUM.

RATCHET POSITIONING



WHEN THE HOSE STOP IS IN THE STOP POSITION THE RATCHET MUST BE LOCATED IN ONE OF THE TWO CLEAR AREAS OF THE RATCHET WHEEL. THE RATCHET MUST NEVER SIT ON THE TEETH OF THE RATCHET WHEEL. ADJUST THE LENGTH OF THE HOSE AND HOSE STOP POSITION ACCORDINGLY UNTIL THE RATCHET SITS PROPERLY IN THE CLEAR AREA.



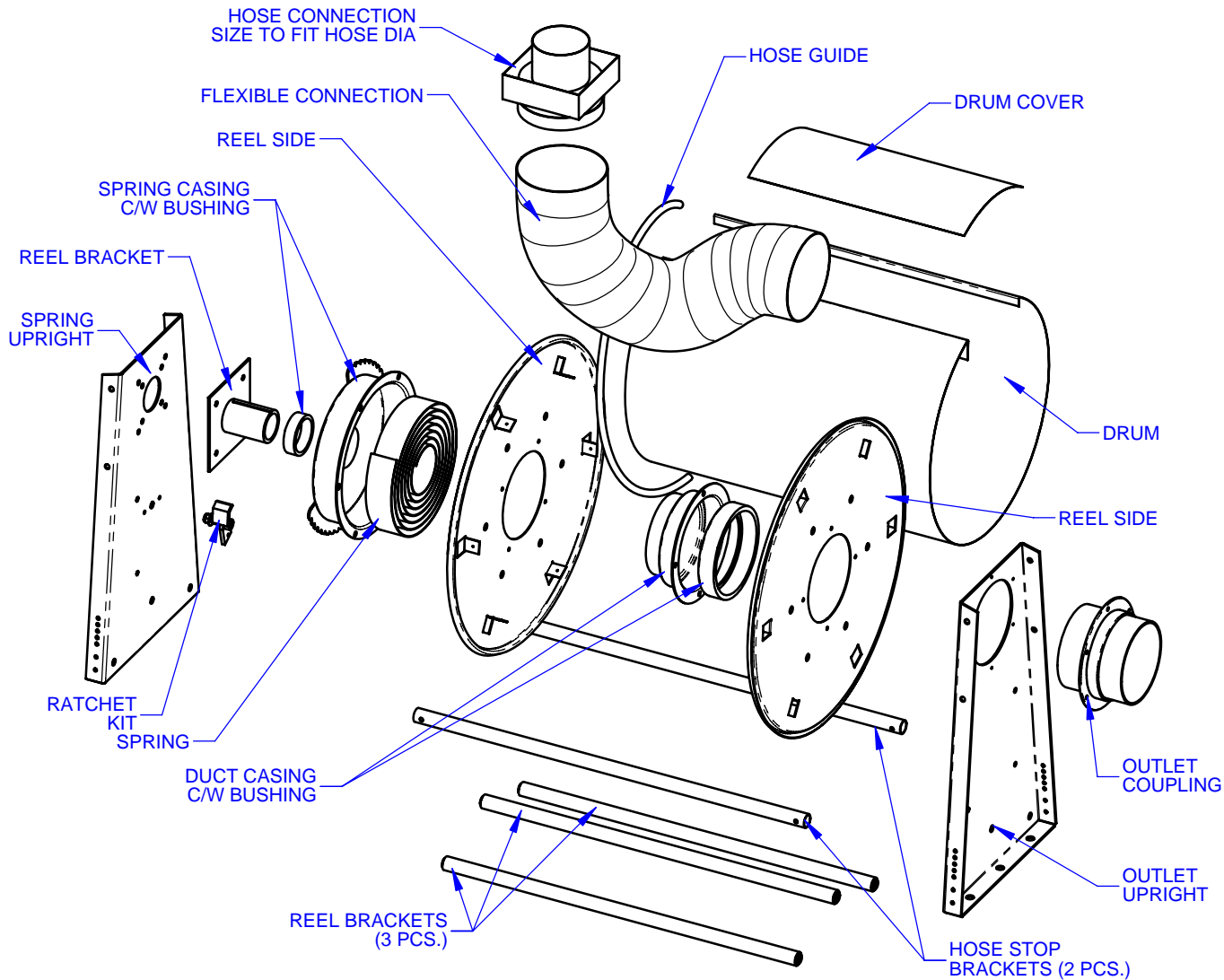
SOURCECETEC INDUSTRIES

TEL: (905) 678-9333
FAX: (905) 678-7133

DRAWN BY: L.B.M.	DESCRIPTION:	REV.0
DATE: NOV 15, 2006	HOSE REEL	
MATL:	PRODUCT No:	REV.0
SCALE: NONE	DRAWING No: ES611151	

MANUAL SPRING HOSE REEL PARTS

REPLACEMENT HOSE AVAILABLE UPON REQUEST
PLEASE SPECIFY DIA, TEMP AND LENGTH



P/N	DESCRIPTION	QTY
1000	HOSE	
1001	SPRING UPRIGHT	
1002	OUTLET UPRIGHT	
1003	REEL BRACKETS	
1004	HOSE STOP BRACKETS	
1005	REEL SIDE	
1006	REEL BRACKET	
1007	SPRING CASING C/W BUSHING	
1008	SPRING	
1009	RATCHET KIT	
1010	DUCT CASING C/W BUSHING	
1011	DRUM	
1012	DRUM COVER	
1013	FLEXIBLE CONNECTION	
1014	HOSE CONNECTION	
1015	OUTLET COUPLING	
1016	HOSE GUIDE	



Warranty and Service Policy

One Year Limited Warranty

Air cleaning products and systems manufactured by Sourcetec Industries Inc. are warranted for a period of one year from date of original purchase. Sourcetec's liability shall be limited to repair or replacement of defective material within the warranty period when returned freight prepaid to its plant or to a service depot designated by Sourcetec. This warranty does not apply to products subjected to any accidents, alteration, abuse, or misuse. Warranties on equipment not of seller's manufacture are limited to terms of warranty furnished by seller's suppliers.

Our responsibility ceases upon delivery to any common carrier and we do not, unless previously instructed, insure shipments beyond point of delivery to such a carrier.

No material will be accepted for credit when returned without permission. All materials accepted for credit is subject to at least a 25% handling charge, and permission must be obtained before equipment is returned.

Equipment specially built to customer specifications and requirements is not subjected to cancellation or returnable for credit under any conditions.

We reserve the right to modify or alter materials, dimensions, design and construction when necessary, to improve the performance of our product and/or accessories, or to meet delivery requirements.